

## **MULTIPROP Beam MPB 24**

The strong aluminium formwork beam  
for the MULTIPROP system



# MULTIPROP Beam MPB 24

## Strong, durable and versatile in its utilization

**PERI MULTIPROP Beam MPB 24, the extremely strong and flexibly used aluminium formwork beam.**

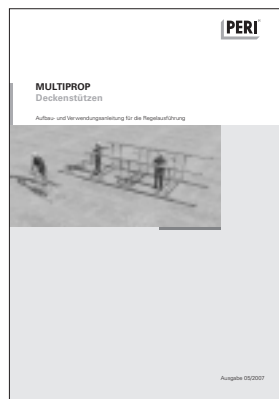
With a high bearing load of 80 kN, the MPB 24 is the perfect main beam for the MULTIPROP system. It allows full use of the maximum load-bearing capacity of the MULTIPROP post shores thus ensuring a reduction in the number of the required slab props or shoring towers. Furthermore, all structural members (props, main beams and cross beams) can be optimally used.



### Statical values of the MPB 24 beam at a glance:

Permissible bearing load:	80 kN
Permissible bending moment:	15 kNm
Permissible shear force*:	50 kN
Flexural strength $EI_y$	1600 kNm <sup>2</sup>

\* for end support = permissible bearing load



More information can be found in the MULTIPROP brochure or assembly instructions.



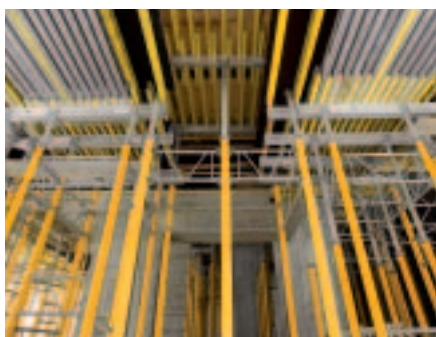
An ideal combination:  
MULTIPROP props with  
frames, MPB 24 beams as  
main beams and GT 24 as  
cross beams.



The MULTIPROP frame provides  
the required stability for the edge  
tables.



The MPB 24 beam used as a dou-  
ble main beam for slab tables.



Depending on the slab thickness  
and span, the MPB 24 beam can of  
course be used as a cross beam.



With the PERI transportation fork,  
tables up to 8.0 m long and weigh-  
ing 1.75 t can be moved.

# Simple and safe to use

## Practical accessories for faster forming

Perfectly matched accessories allow faster and easier assembly and forming as well as ensuring maximum safety during use.

### MPB 24 beam joint

The beams are connected by means of the Splice MPB 24 (Item no. 107348) and assembled according to the required length.



Connections are carried out with the following parts:

4 Pins  $\varnothing$  20 x 140, galv.(Item no. 105400)

4 Cotter Pins 4/1, galv.(Item-no. 018060)

### Connecting the MPB 24 with GT 24 girders

For connecting MPB 24 and GT 24 girders, different versions are selected depending on the application and type of connection.



Connections can also be made with the Quick Strap MPB 24/GT 24 (Item no. 108339). In so doing, at least 2 pieces are to be in a diagonally offset position and secured with nails.

With the Hook Strap MPB 24/GT 24 (Item no. 111000), a friction-locked connection is created between the MPB 24 beam and GT 24 girder.

For assembly from below, the Assembly Plate MPB 24 (Item no. 107820) is used. At least 2 pieces must be placed in a diagonally offset position here as well. The straps are secured by means of Torx screws.

**Supporting and connecting on MULTIPROP props**

For supporting and connecting MPB 24 beams on MULTIPROP post shores, various possibilities are available.



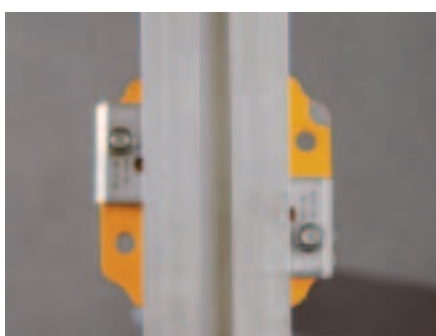
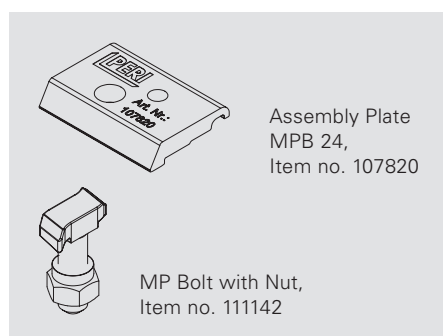
For providing stable support, the MPB 24 is mounted in the Cross-head 24 (Item no. 027890).



For use as tables, the MBP 24 beam is secured to the crosshead by means of the MP Bolt with Nut (Item no. 111142). The crosshead is mounted to the MULTIPROP using Pins  $\varnothing$  14 x 107, galv. (Item no. 027990) and Cotter Pins 4/1 (Item no. 018060).

**Connecting to the MULTIPROP**

Simple and fast connections between the MPB 24 beams and MULTIPROP external or internal tube can also be made with the Assembly Plate MPB 24.



The connection to the internal or external tube is carried out with the Assembly Plate MPB 24 (Item no. 107820) and the MP Bolt with Nut (Item no. 111142).

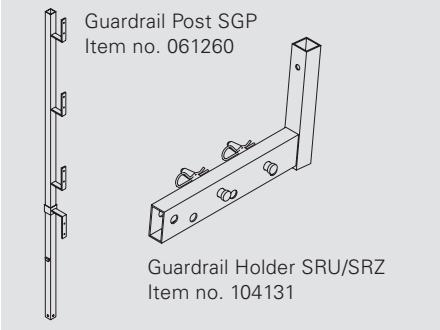
Two Assembly Plates MPB 24 per MULTIPROP must always be diagonally positioned when connecting.

# MULTIPROP Beam MPB 24

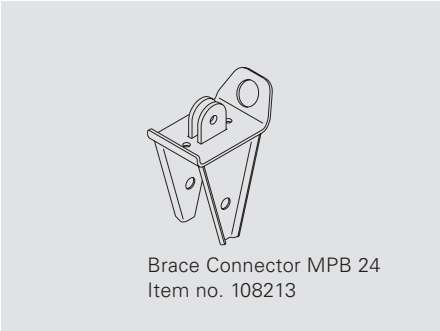
## Safety also at the slab edge

### Slab edge with guardrails

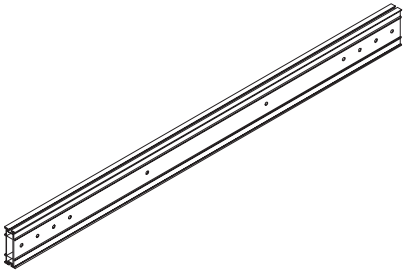
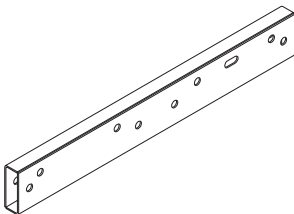


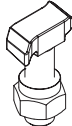
With Brace Connector MPB 24 (Item no. 108213) and Guardrail Holder SRU/SRZ (Item no. 104131)

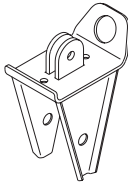
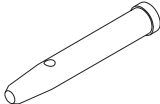

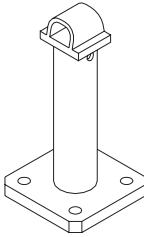
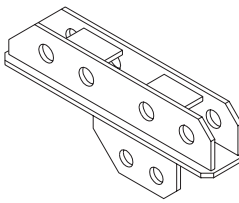


For guardrail assembly, the SRU/SRZ guardrail holder - complete with pins and cotter pins - are used together with the SGP guardrail post (Item no. 061260).



The MPB 24 brace connector allows the use of push-pull props as well as tension chains.

	Weight kgltem no.	
<b>Alu Beam MPB 24</b>		
<b>MPB 24 - 300</b>	24,00	079300
<b>MPB 24 - 360</b>	28,80	079360
<b>MPB 24 - 420</b>	33,70	079420
<b>MPB 24 - 480</b>	38,50	079480
<b>MPB 24 - 540</b>	43,30	079540
<b>MPB 24 - 600</b>	48,10	079600
		
<b>Splice MPB 24</b>	9,53	107348
		
<b>Quick Strap MPB 24/GT 24</b>	0,203	108339
		
<b>Assembly Plate MPB 24</b>	0,085	107820
		
<b>MP Bolt with Nut</b>	0,060	111142
		

	Weight kgltem no.	
<b>Brace Connector MPB 24</b>	2,59	108213
		
<b>Pin ø 20x140, galv.</b>	0,328	105400
		
<b>Cotter Pin 4/1, galv.</b>	0,030	018060
		
<b>Compression Brace Head MP/SRU</b>	2,60	107161
		
<b>Connector MP/SRU</b>	3,79	107160
		

# PERI Product Range



## Wall Formwork

Panel Formwork  
Girder Formwork  
Circular Formwork  
Facade Formwork  
Brace Frame



## Climbing Systems

Climbing Scaffold  
Self-Climbing System  
Climbing Protection Panel  
Platform Systems



## Column Formwork

Square  
Rectangular  
Circular



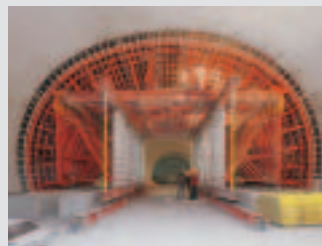
## Scaffolding, Stairways, Working Platforms

Facade Scaffold  
Working Platform  
Weather Protection Roof  
Stairway Access



## Slab Formwork

Panel Formwork  
Beam Grid Formwork  
Girder Formwork  
Slab Table  
Beam Formwork



## Bridge and Tunnel Formwork

Cantilevered Parapet Carriage  
Cantilevered Parapet Platform  
Engineer's Construction Kit



## Shoring Systems

Steel Slab Props  
Aluminium Slab Props  
Tower Systems  
Heavy-Duty Props



## Services

Formwork Assembly  
Cleaning / Repairs  
Formwork Planning  
Software  
Statics  
Special Constructions

Additional Systems  
Plywood  
Formwork Girders  
Stopend Systems  
Pallets  
Transportation Containers



## PERI GmbH Formwork Scaffolding Engineering

P.O. Box 1264  
89259 Weissenhorn  
Germany  
Tel +49 (0)7309 950-0  
Fax +49 (0)7309 951-0  
info@peri.de  
www.peri.de