

VT 20K Formwork Girder

Cost-effective and durable



The PERI VT 20K is the 200 mm solid web girder complete with optimal protection at the girder ends.

The robust steel cap which surrounds the end of the girder, as well as the concave web end, reliably prevent damage to the girder ends in demanding and tough conditions on the construction site. Here, the natural elasticity of the timber is used to absorb the impact energy if the girder falls to the ground.

Securing of the steel cap was intentionally done in the unstressed area of the web. The highly compressed web board has a high proportion of synthetic resin which ensures high dimensional stability. These improvements in the details, in connection with chords made of high-quality Nordic softwood, greatly extend the service life of the girder.



Robust steel caps at the end of the girders protect against damages.

VT 20 Formwork Girder

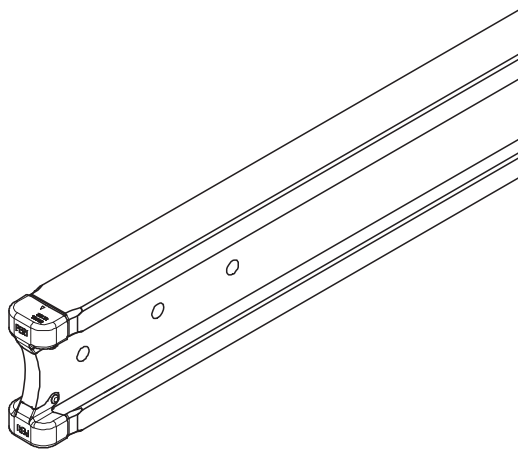


Item no.	Weight kg
074990	8,560
074905	12,700
074910	14,460
074890	15,640
074920	17,110
074930	19,470
074940	21,240
074950	23,010
074960	26,550
074970	28,910
074980	34,810

Girders VT 20K with Steel Cap

- Girder VT 20K L = 1.45 m
- Girder VT 20K L = 2.15 m
- Girder VT 20K L = 2.45 m
- Girder VT 20K L = 2.65 m
- Girder VT 20K L = 2.90 m
- Girder VT 20K L = 3.30 m
- Girder VT 20K L = 3.60 m
- Girder VT 20K L = 3.90 m
- Girder VT 20K L = 4.50 m
- Girder VT 20K L = 4.90 m
- Girder VT 20K L = 5.90 m

Formwork girder made of wood. To reduce damages the girder ends are protected by rigid steel caps and the webs are rounded.



L

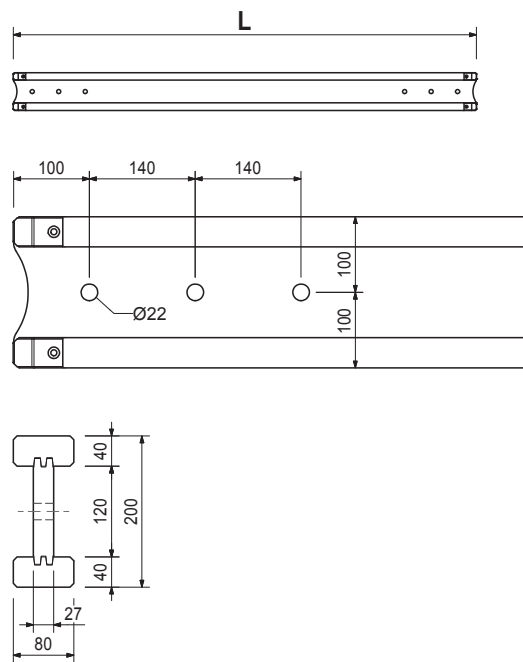
- 1445
- 2150
- 2450
- 2650
- 2900
- 3290
- 3590
- 3890
- 4490
- 4900
- 5900

Note

Girder meets the requirements of DIN EN 13377 class P20 (declaration of conformity).

Technical Data

- perm. Q = 11.0 kN
- perm. M = 5.0 kNm
- ly = 4181 cm⁴



073710	8,560
073720	12,700
073730	14,460
073740	15,640
073750	17,110
073760	19,470
073770	21,240
073780	23,010
073790	26,550
073800	28,910
073810	34,810

Girders VT 20 without Steel Cap

- Girder VT 20 L = 1.45 m
- Girder VT 20 L = 2.15 m
- Girder VT 20 L = 2.45 m
- Girder VT 20 L = 2.65 m
- Girder VT 20 L = 2.90 m
- Girder VT 20 L = 3.30 m
- Girder VT 20 L = 3.60 m
- Girder VT 20 L = 3.90 m
- Girder VT 20 L = 4.50 m
- Girder VT 20 L = 4.90 m
- Girder VT 20 L = 5.90 m

L

- 1445
- 2150
- 2450
- 2650
- 2900
- 3290
- 3590
- 3890
- 4490
- 4900
- 5900

PERI GmbH

Formwork Scaffolding Engineering

P.O. Box 1264
 89259 Weissenhorn
 Germany
 Tel +49 (0)7309.950-0
 Fax +49 (0)7309.951-0
 info@peri.com
 www.peri.com