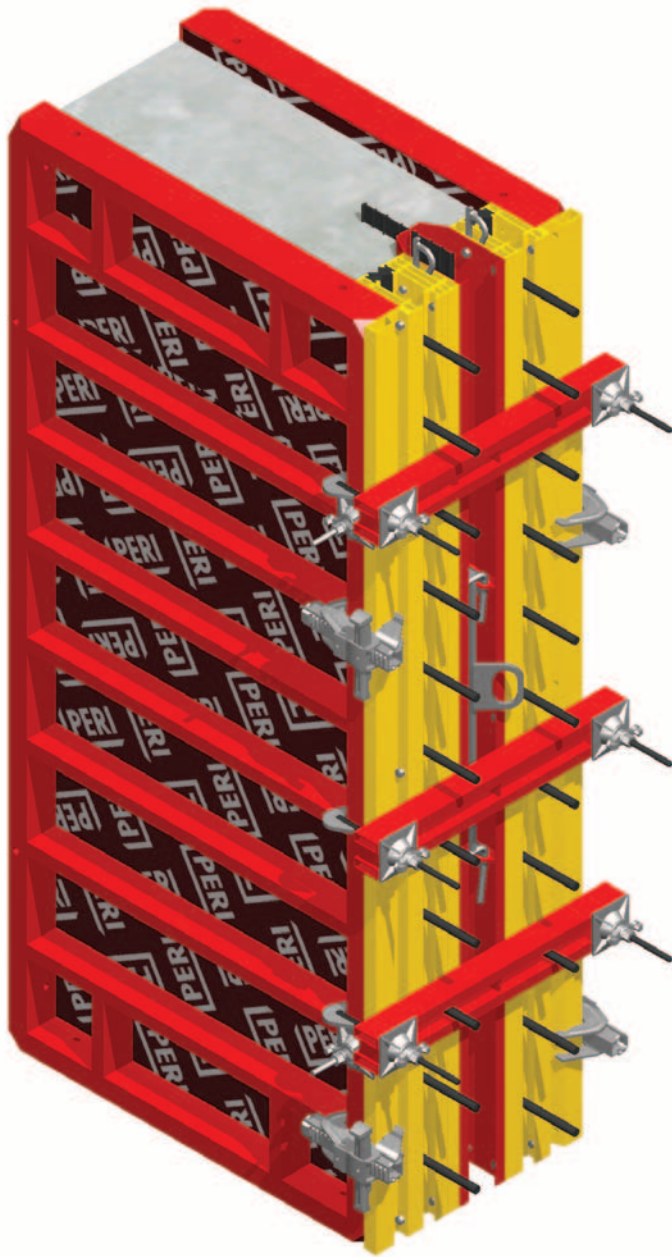
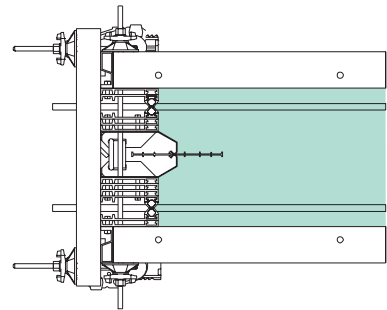


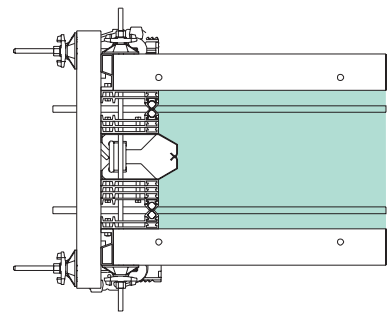
TRIO Bulkhead Form



With Waterstop



Without Waterstop



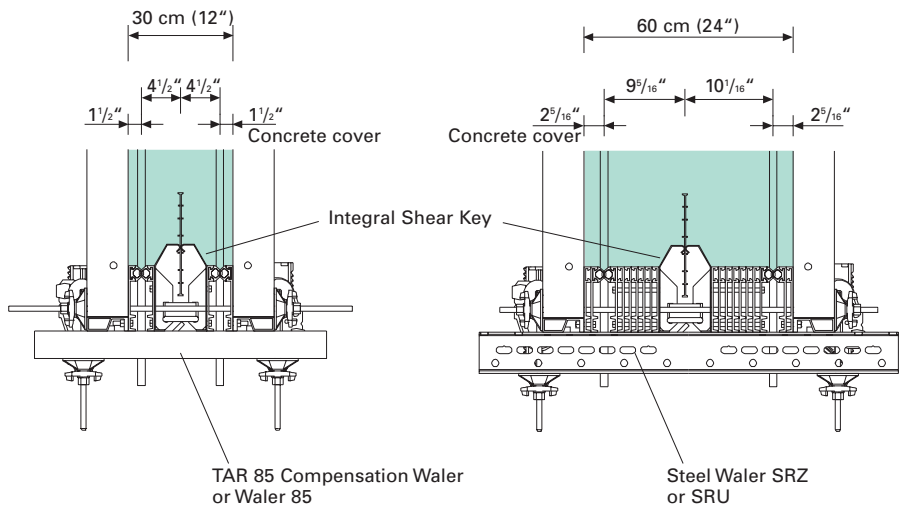
TRIO Bulkhead Form



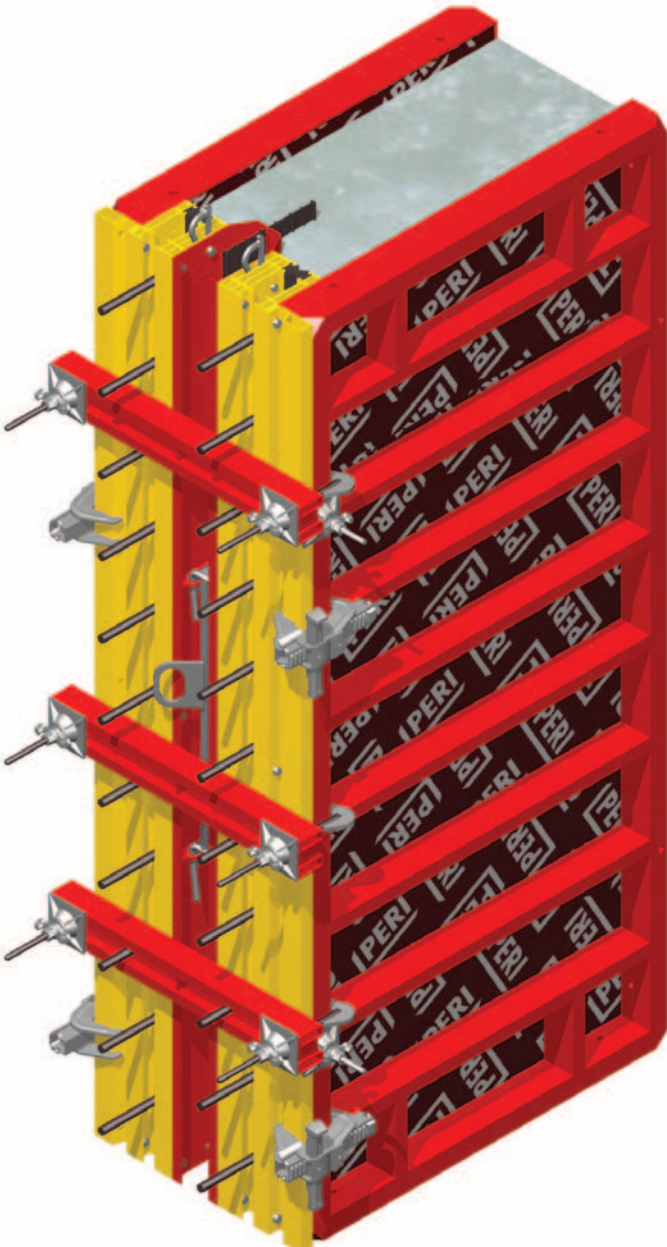
For bulkheads with a wall thickness between 30 cm (12") and 60 cm (24").

Adjusting to a different wall thickness is performed using the Compensation Profile ATS in 20 mm (3/4") increments.

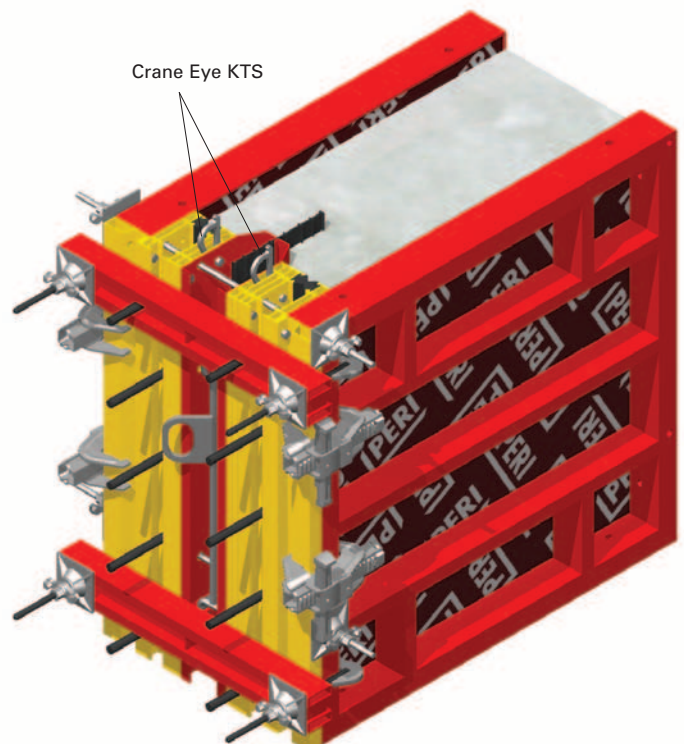
The allowable diameter of the penetrating rebars is between 8 mm (1/4") and 32 mm (1 1/4").



Height 270 / 9'



Height 120 / 4'



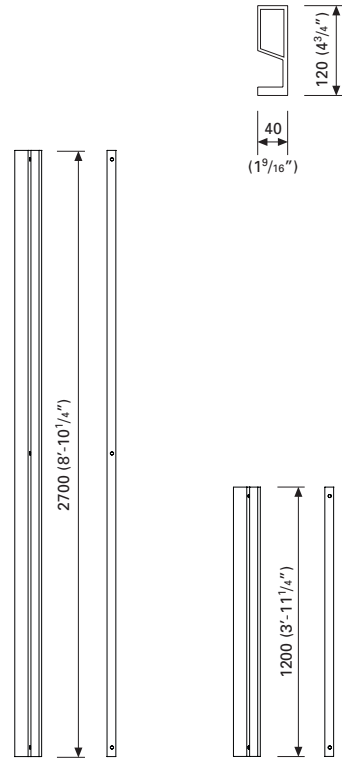
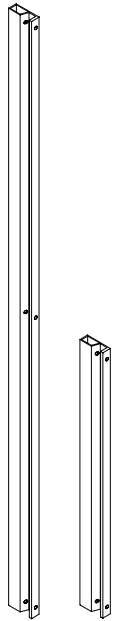
Weight lbs Item no.

End Piece ETS

Connected to the edge profile of the TRIO Panel with BFD alignment coupler.

ETS 270
ETS 120

24.69 106474
10.93 106457



Compensation Profile ATS **ATS 270**
To adjust the wall thickness **ATS 120**
in 20 mm (3/4") increments.

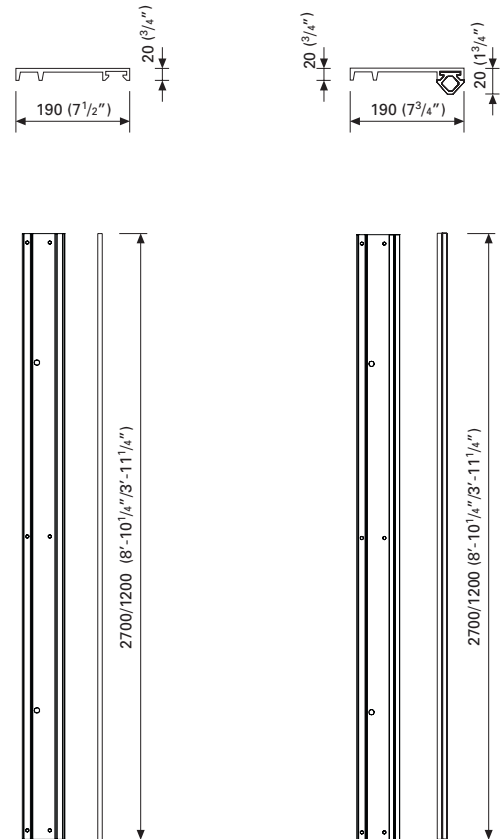
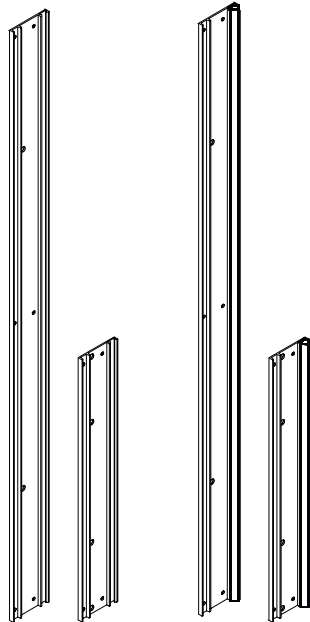
24.25 106471
11.02 106462

Sealing Profile DTS

Rubber gasket allows rebars to pass through profile without leakage of concrete. Max. rebar diameter 32 mm (1 1/4").

DTS 270
DTS 120

28.66 106472
13.14 107107



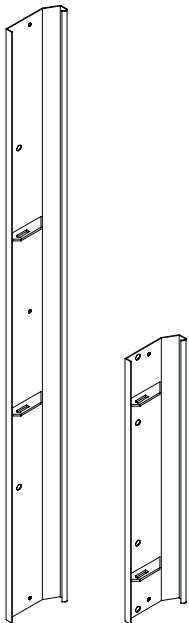
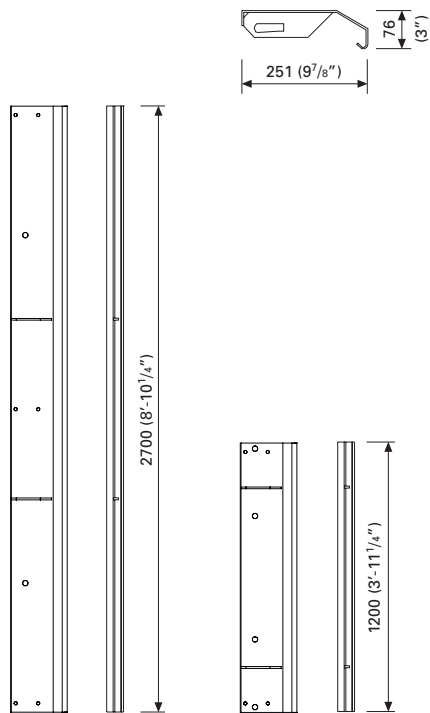
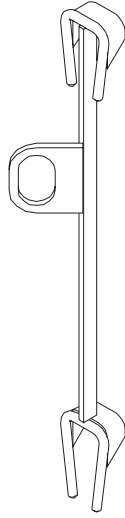
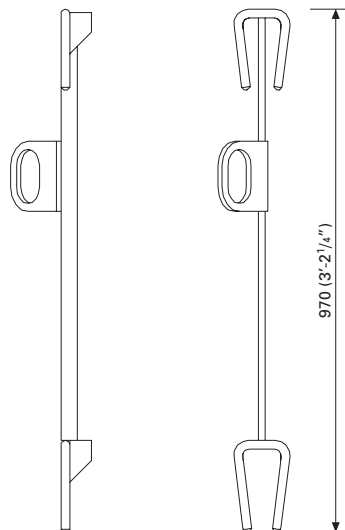
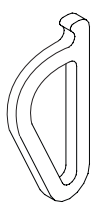
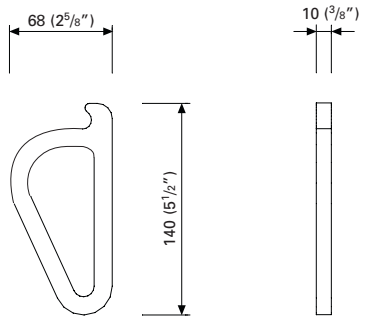
Accessories:

Hex. Bolt M12 ISO 4016-4.6 MU, galv.
Length of bolt depends on the number of profiles.

Spare parts:

Rubber Profile for DTS 270
Rubber Profile for DTS 120

4.41 107251
2.12 107250

	Weight lbs	Item no.	
<p>Center Piece 150 MTS Used between the rebar layers creating a shear key. Min. spacing 150mm (6").</p>  <p>MTS 270 MTS 120</p>	<p>49.80 22.90</p>	<p>106477 107106</p>	
<p>Connector Center Piece VMTS, galv. Connects center pieces MTS.</p> 	<p>11.80</p>	<p>107102</p>	
<p>Crane Eye KTS For lifting compensation profiles ATS or sealing profiles DTS.</p> 	<p>0.64</p>	<p>107351</p>	

USA
PERI Baltimore
7272 Park Circle Drive / Suite 200
Hanover, MD 21076
Phone: 410-712-7225
Fax: 410-712-7080
In the US call toll free:
Phone: 1-800-350-PERI

CANADA
PERI Toronto
45 Nixon Road
Bolton, Ontario L7E 1K1
Phone: 905-951-5400
Fax: 905-951-5454
In Canada call toll free:
Phone: 1-877-848-PERI