

VT 20K / VT 20 Formwork Girders

The cost-effective solid web girder

Product Brochure – Issue 04/2018



VT 20K Formwork Girder

The cost-effective solid web girder

The cost-effective PERI VT 20K solid web girder can be used universally. The wooden formwork girder with a 20 cm overall height is optimized for use in slab formwork operations. Especially for thin slabs with short spans, the solid web girder provides the most appropriate solution. The VT 20K is extremely economical to use also for special solutions – ranging from simple beams through to bridge or tunnel formwork projects. The girder is available in 11 lengths from 1.45 m to 5.90 m and, as a rule, has robust steel caps fitted at the end of the chords. These steel caps along with the concave web end provide the girder with reliable protection against damage. Alternatively, the girder can also be supplied without caps.

Robust

with steel caps on the chord ends and concave web ends.

Site-compliant quality

With chords made of high-quality softwood and highly compressed web board with a high proportion of synthetic resin.

Universal

Used cost-effectively for many applications.



Technical data

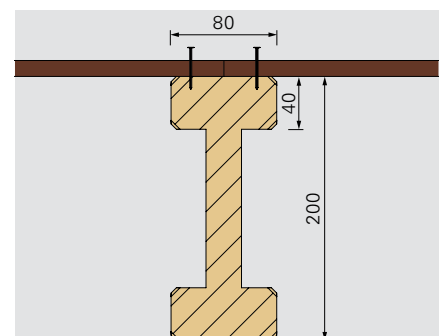
Weight: 5.30 kg/m (production weight)
Permissible shear force: 11.00 kN
Permissible bending moment: 5.0 kNm
Flexural strength: $EI_v = 460 \text{ kNm}^2$
 $I_v = 4.181 \text{ cm}^4$



Steel caps on the ends of the chords provide reliable protection against damage. Securing of the steel cap has been intentionally done in the unstressed area of the web.



The girder with a 20 cm overall height was specially developed for slab formwork operations. It can be used as a cross and main beam.



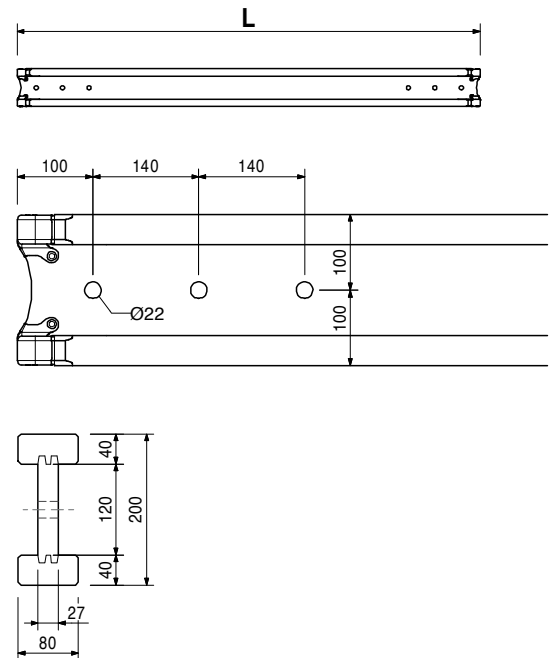
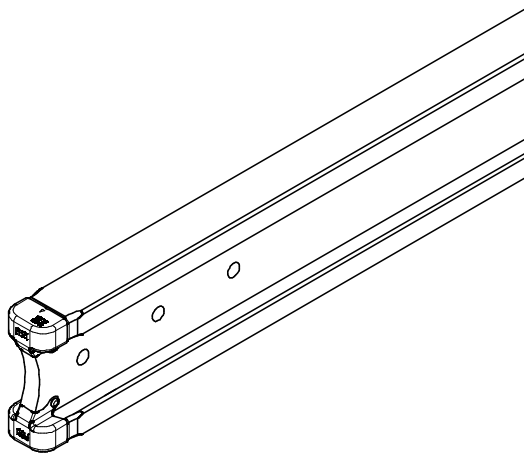
The 4 x 8 cm thick chords provide sufficient width for nailing plywood joints.

Item no.	Weight kg	VT 20K Girders with Steel Caps	L
074990	7.600	VT 20K Girder, L = 1.45 m	1447
074905	11.400	VT 20K Girder, L = 2.15 m	2152
074910	13.000	VT 20K Girder, L = 2.45 m	2452
074890	14.000	VT 20K Girder, L = 2.65 m	2652
074920	15.400	VT 20K Girder, L = 2.90 m	2902
074930	17.500	VT 20K Girder, L = 3.30 m	3292
074940	19.000	VT 20K Girder, L = 3.60 m	3592
074950	20.600	VT 20K Girder, L = 3.90 m	3892
074960	23.800	VT 20K Girder, L = 4.50 m	4492
074970	25.900	VT 20K Girder, L = 4.90 m	4902
074980	31.200	VT 20K Girder, L = 5.90 m	5902

Versatile formwork girder made of wood.

Note

The girder fulfils all requirements of DIN EN 13377 Class P20 (Declaration of Conformity).



		VT 20 Girders without Steel Caps	L
073710	7.600	VT 20 Girder, L = 1.45 m	1445
073720	11.400	VT 20 Girder, L = 2.15 m	2150
073730	13.000	VT 20 Girder, L = 2.45 m	2450
073740	14.000	VT 20 Girder, L = 2.65 m	2650
073750	15.400	VT 20 Girder, L = 2.90 m	2900
073760	17.500	VT 20 Girder, L = 3.30 m	3290
073770	19.000	VT 20 Girder, L = 3.60 m	3590
073780	20.600	VT 20 Girder, L = 3.90 m	3890
073790	23.800	VT 20 Girder, L = 4.50 m	4490
073800	25.900	VT 20 Girder, L = 4.90 m	4900
073810	31.200	VT 20 Girder, L = 5.90 m	5900

**The optimal System
for every Project and
every Requirement**



Wall Formwork



Column Formwork



Slab Formwork



Climbing Systems



Bridge Formwork



Tunnel Formwork



Shoring Systems



Construction Scaffold



Facade Scaffold



Industrial Scaffold



Access



Protection Scaffold



Safety Systems



**System-Independent
Accessories**



Services



PERI GmbH
Formwork Scaffolding Engineering
 Rudolf-Diesel-Strasse 19
 89264 Weissenhorn
 Germany
 Tel. +49 (0)7309.950-0
 Fax +49 (0)7309.951-0
 info@peri.com
 www.peri.com

